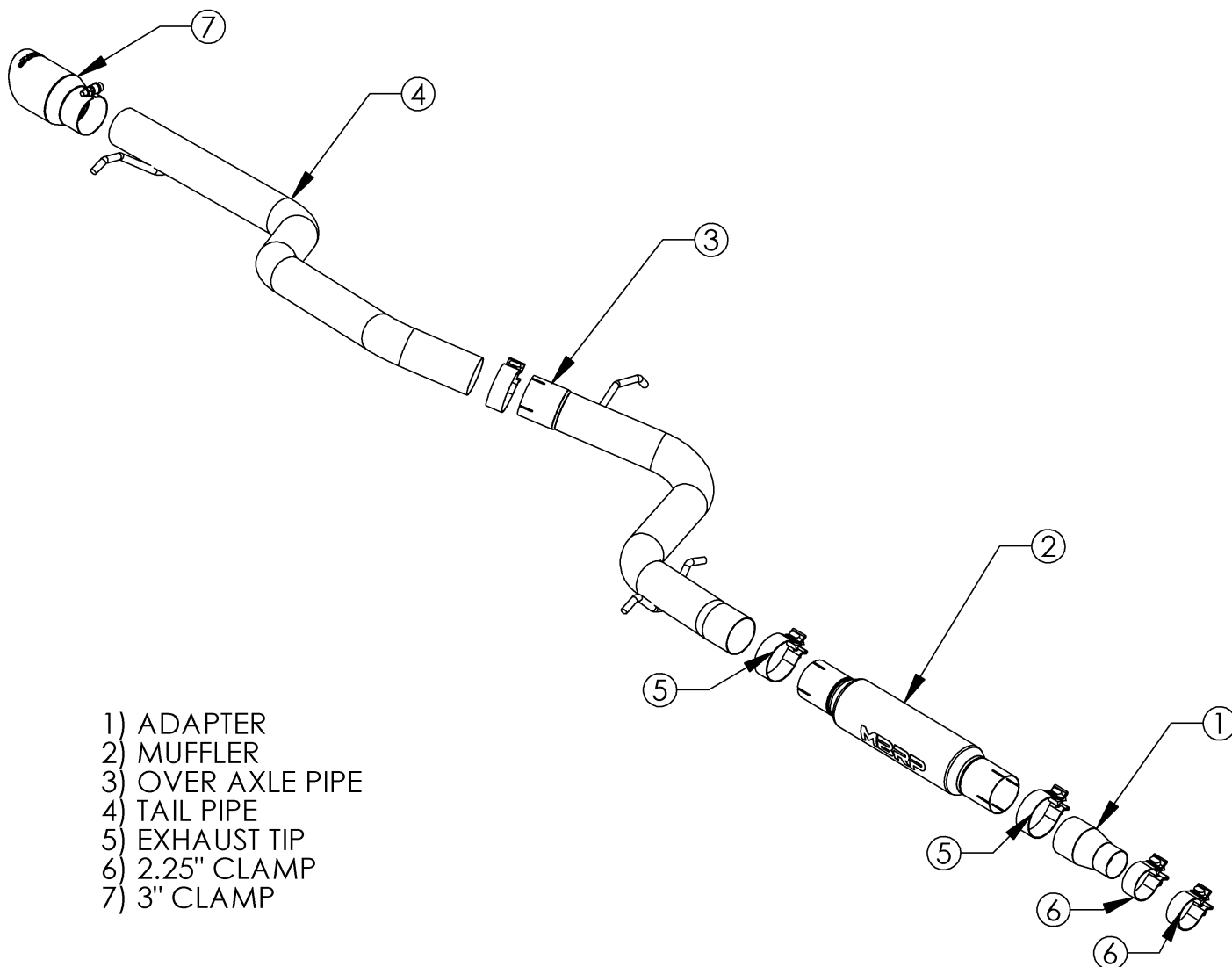


# S4600

05.5-06 1.9L TDI VW JETTA CAT BACK, 3"  
EXHAUST

# MBRP



- 1) ADAPTER
- 2) MUFFLER
- 3) OVER AXLE PIPE
- 4) TAIL PIPE
- 5) EXHAUST TIP
- 6) 2.25" CLAMP
- 7) 3" CLAMP

## PLEASE READ BEFORE STARTING INSTALLATION

While MBRP Inc. has made every effort to ensure that all components of this system are of superior quality and properly packaged, it is the installer's responsibility to ensure the following before removal of the factory exhaust:

- that ALL components shown above are present.
- that ALL mating components fit together.
- that there are no damaged components.
- that the system you have purchased is appropriate for your vehicle year, model and configuration.
- that the system will not interfere with any modifications previously installed or planned.
- that you have read and understand these instructions.

If you have any questions or are uncertain about any aspect of the installation of this system to your vehicle please contact your dealer before commencing installation.

## Removal of Stock System



**Figure 1**

1. Apply a penetrating lubricant liberally to all exhaust fasteners, hangers and rubber insulators.

2. Loosen the band clamp that connects the downpipe to the rest of the exhaust system.

3. Cut the exhaust system right before the exhaust pipe goes over the rear sub frame.

**Refer to Figure 1**

4. Remove the hangers from the rubber insulators and remove the exhaust from the vehicle. If a hoist or hydraulic lift is not being used the tail pipe may need to be cut to clear the rear sub frame.



**Figure 2**

## Installation of **MBRP** Performance Exhaust

1. Use the stock band clamp in combination with the 2 provided **2.25" clamps** to install the **Adapter** on the Down pipe.

**Refer to Figure 2**

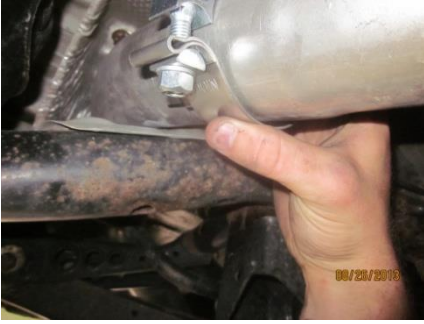
2. Install the **Muffler** on to the **Adapter** previously installed. Place a **3" clamp** over the end of the **Muffler** before installing on **Adapter**.

**Refer to Figure 3**



**Figure 3**

# MBRP



**Figure 4**

3. Install a **3" Clamp** over the outlet of the **Muffler** and Loosely install the **Over Axle Pipe** by inserting it in to the **Muffler** outlet. Then move towards the rear of the **Over Axle Pipe** and install hangers into all stock rubber isolators.

**Refer to Figure 3**

4. Slide a **3" Clamp** over the expanded end of the **Over Axle Pipe** just installed.

**Refer to Figure 4**

5. Install the **Tail Pipe**, start at the rear of the vehicle and feed the **Tail Pipe** up through the stock pipe location. Some rotation and angle adjustment will be required to get the pipe successfully over the rear framework.

Move back under the vehicle once the pipe is through the rear sub frame and insert it into the **Over Axle Pipe**.

**Refer to Figure 4**



**Figure 5**

6. Install the rear most hanger on the **Tail Pipe** in to the stock rubber isolator. Look back over the installed components and make sure that all parts are clear of sub frame components. If parts are in contact with any part of the vehicle use spacers to keep them separated while you work from front to back tightening all clamps.

7. Now that components are tightened do a final check that the **Tail Pipe** is still centered in the stock exhaust outlet location.

8. Finally, install the **Exhaust Tip** on to the **Tail Pipe**.

**Reference Figure 5.**

9. Align the edge of each band clamp with the edge of the joint it is connecting. Tighten all hardware and clamps, starting at the front and working rearward to secure the system. Check along the full length of the exhaust system to ensure there is adequate clearance for fuel lines, vent lines, brake lines, frame, bodywork, suspension, and any wiring, etc. If there is any interference detected, relocate, or adjust to provide adequate clearance. Ensure all clamp connections are secure and components are unable to rotate or slide. Band clamps require approximately 45 lb-ft (60 N-m) of torque. Verify clearances, system security and band clamp torque after 30-60 miles (50-100 km) of driving.

**Congratulations!** You are ready to begin experiencing the improved power, sound and driving excitement of your **MBRP** performance exhaust system. We know you will enjoy your purchase.