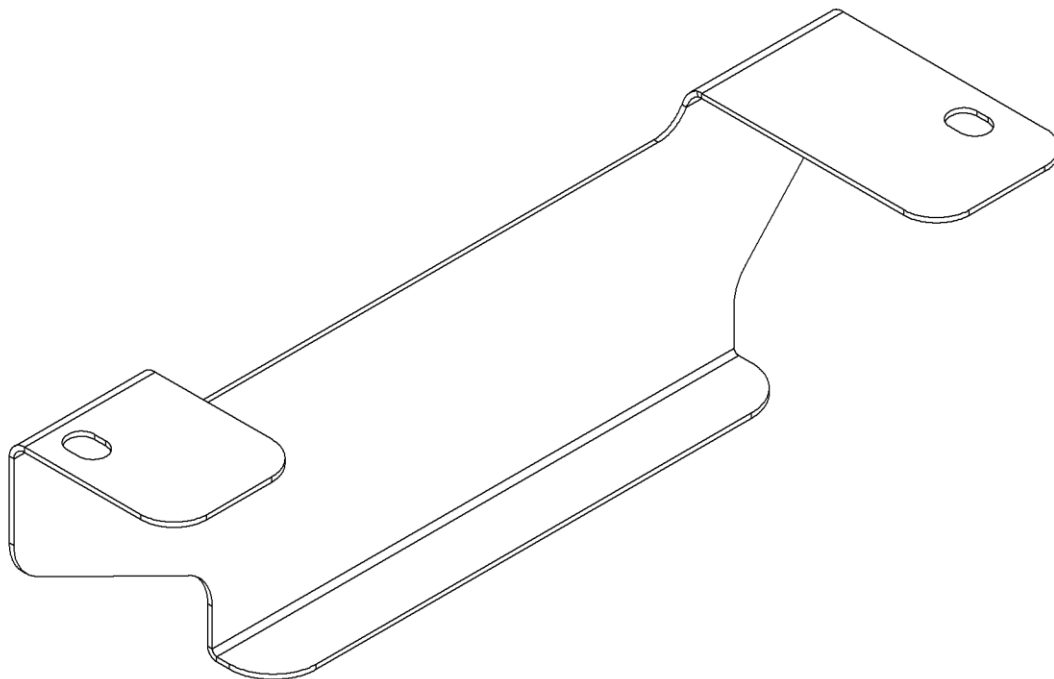


131011

**07-11 JEEP JK WRANGLER HEAT SHIELD
WITH HIGH TEMPERATURE BLACK FINISH**

**OFF CAMBER
FABRICATIONS**

by: **MBRP** INC.



PLEASE READ BEFORE STARTING INSTALLATION

While MBRP Inc. has made every effort to ensure that this component is of superior quality and securely packaged, it is the installers responsibility to ensure the following before starting:

- that the component is undamaged.
- That the component is appropriate for the year, make and model of vehicle it is to be installed to;
- that you have read and understand these instructions.

If you have any questions or are uncertain about any aspect of the installation of this component on your vehicle please contact your dealer before commencing installation.

2007-2009 Jeep JK Wrangler Heat Shield

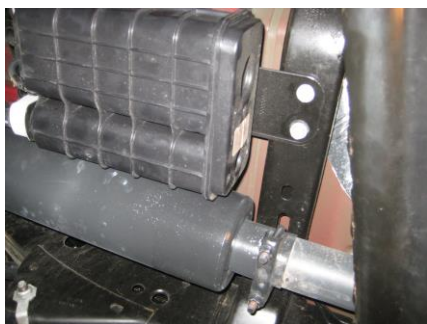


Figure 1



Figure 2



Figure 3



Figure 4



Figure 5

1. Remove the three fasteners from the front and rear of the charcoal canister. Retain the hardware for installation. **Refer to Figure 1.**

2. Unplug the charcoal canister and temporarily remove it from the vehicle. Using the drill templates provided mark and then drill the new holes. **Refer to Figure 2.**

3. The **Heat Shield** mounts between the charcoal canister and the frame. Using the holes drilled with the templates line up to the existing weld nuts in the cross-member. Only one fastener will be used at each end of the charcoal canister. The front cross-member has two weld-nuts. Only use the one closest to the driveshaft. The charcoal canister should now be 1" closer to the drive shaft. **Refer to Figures 3 to 5.**

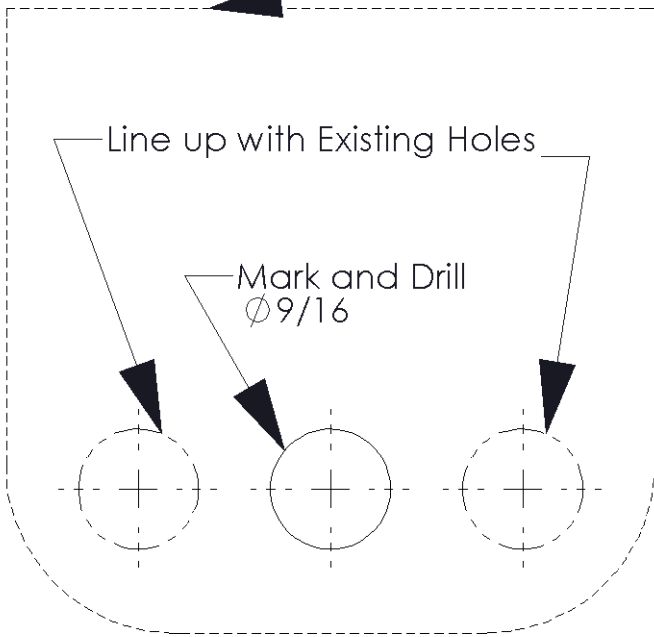
4. Reconnect the hoses and plugs removed in step 2.

5. Check for adequate clearance around the muffler, adjust if necessary and tighten all hardware.

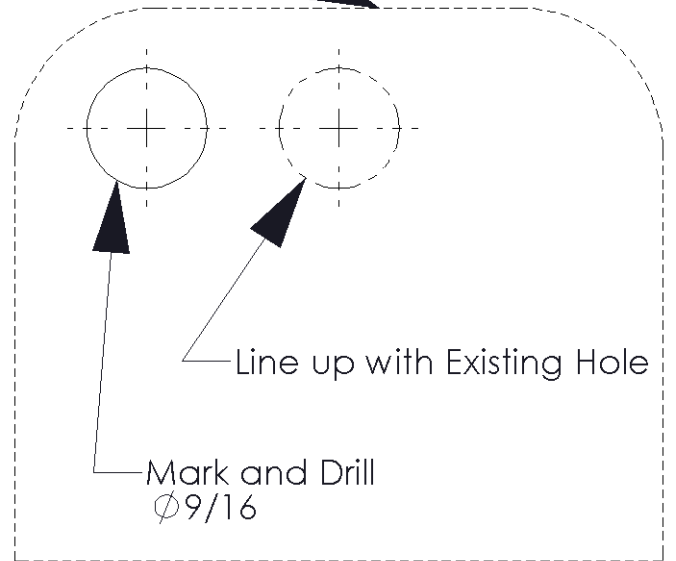


Now You Are Done! We are certain that this MBRPinc product will provide many years of enjoyment.

Cut out templates along dashed line



Front of Canister



Rear of Canister